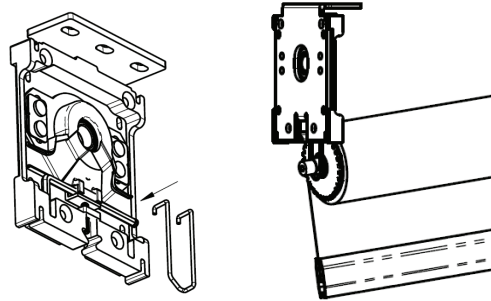


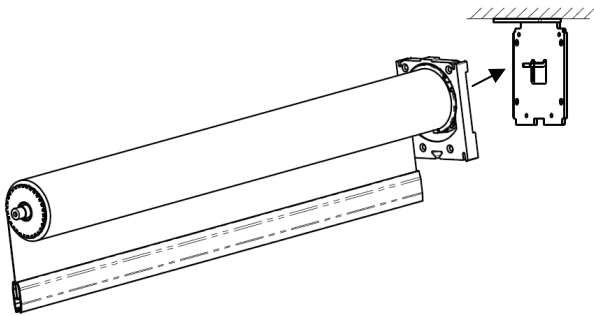
1. Mount installation brackets.



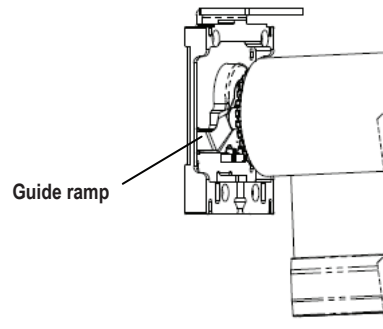
2. For wider shade, please use Installer Buddy if necessary.



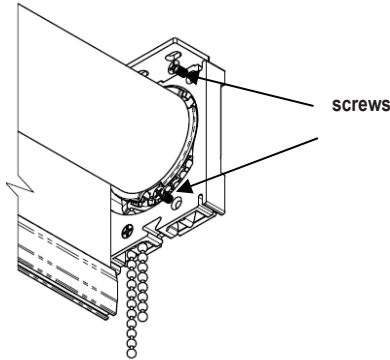
3. Insert clutch end into clutch bracket.



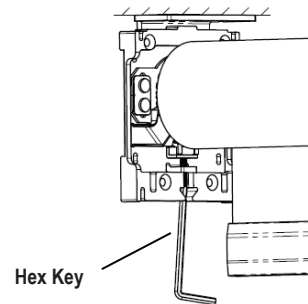
4. Position spring loaded idler end spindle on the ramp to guide the idler end into bearing.



5. Fasten screws to secure clutch.

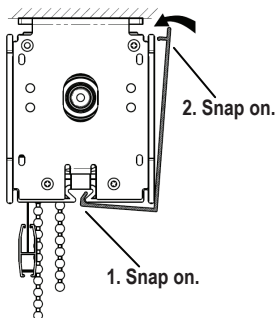


6. Use Hex key to adjust the shade to avoid telescoping.

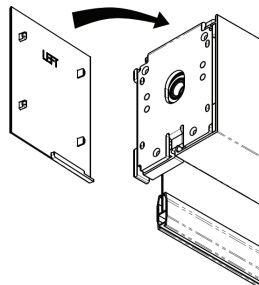


7. Install Fascia and End Caps.

1) To install fascia:

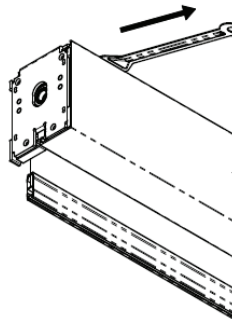


2) To install end caps:
Place end cap pins in the bracket holes and clip them in.

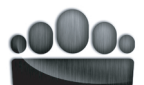
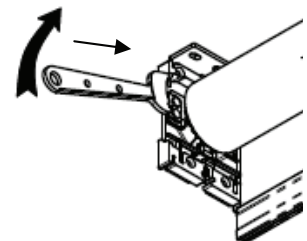


8. To uninstall:

1) To remove fascia:
Insert hand tool and pull fascia off the brackets.



2) Insert and turn the wrench in direction as shown to fully retract the idler end spindle. Then remove shade.



Install the Tension Device

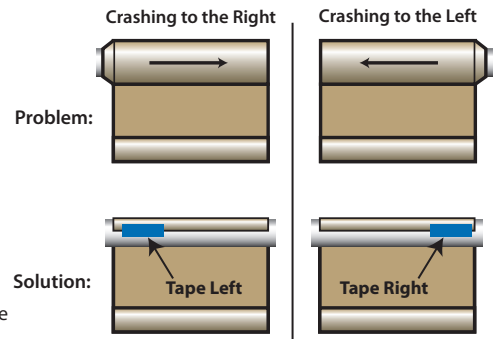
The tension device we are providing with this shade is a MANDATORY feature. Installing this component is not an option. If the tension device is not installed it will waive Crown of any safety liabilities.

How to Fix Shade Telescoping

Every clutch operated roller shade that is built by Crown goes through a rigorous inspection which includes fabric calibration while mounted to level brackets. However, if your brackets are not mounted perfectly level there is a chance you may have to shim the shade to minimize eliminate telescoping.

- If the fabric is crashing into the right bracket, roll the shade all the way down and apply tape layer by layer to the roller on the left side until problem diminishes.
- If the fabric is crashing into the left bracket, roll the shade all the way down and apply tape layer by layer to the roller on the right side until problem diminishes.

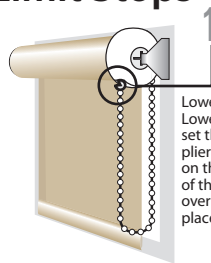
Note: Minimal fabric telescoping is ok as long as the fabric does not come in contact with the brackets or clutch



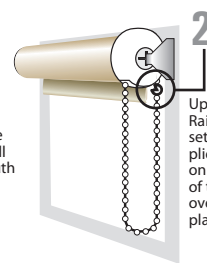
Installing Chain Bead Limit Stops

Regular Roll Shades: Follow these Directions:

Reverse Roll Shades: Invert the Reverse Roll Directions so that the stop ball is on the back for the Lower Limit and on the front for the Upper Limit.



1
Lower Limit Setting.
Lower the shade to where you intend to set the "lower" limit. Using a needle nose pliers, attach the supplied metal stop ball on the front part of the chain at the mouth of the clutch. Crimp the stop ball closed over the bead on the chain to secure in place permanently.



2
Upper Limit Setting.
Raise the shade to where you intend to set the "Upper" limit. Using a needle nose pliers, attach the supplied metal stop ball on the rear part of the chain at the mouth of the clutch. Crimp the stop ball closed over the bead on the chain to secure in place permanently.

