



PANOVIEW
A Wide Span Shading Solution

By **Crown Shade Company**



Wide Interior Windows With Tight Access

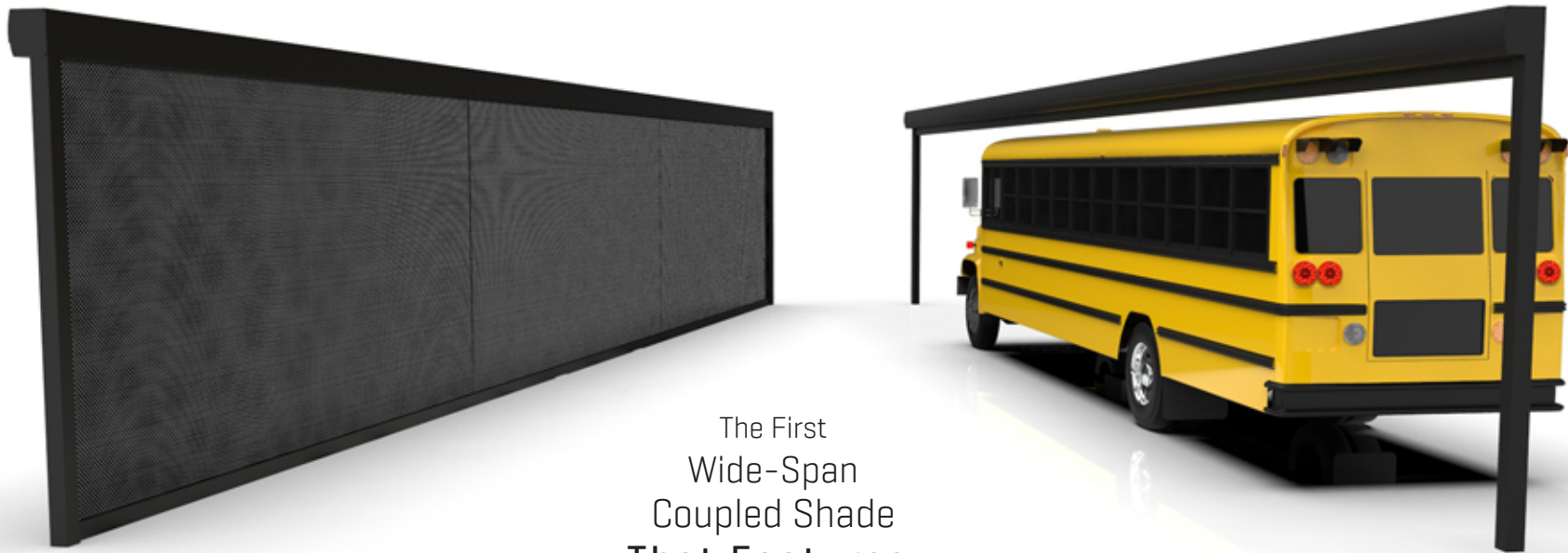
Panoview is ideal for buildings featuring massive spans of horizontal glazing with no mullion breaks and tight elevators unable to accommodate wide shades. Panoview is fabricated and shipped in sections for easy transport to each floor.



Super Wide Outdoor Living Openings

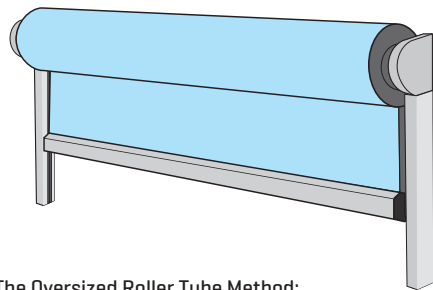
Applications requiring a single retracting shade to cover spans of up to 80' wide without obstructions such as center channels are ideal for Panoview. Panoview is inherently an exterior ziptrack product so it also shields the sun's harsh UV rays and blocks pesky insects.





The First
Wide-Span
Coupled Shade
That Features:
**No Light Gaps,
No Center Channels**

The Competition:

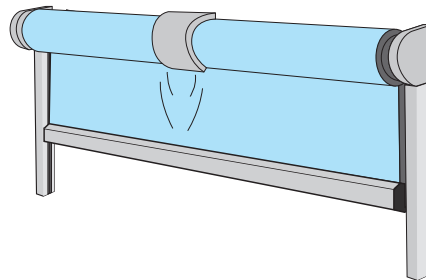


The Oversized Roller Tube Method:

Typically a single roller shade up to 30' wide using enormous tubes.

Problems:

- Shipping costs and potential damages
- Assembly & Installation can be cumbersome
- Enormous roller tube requires up to 12" sq. of space

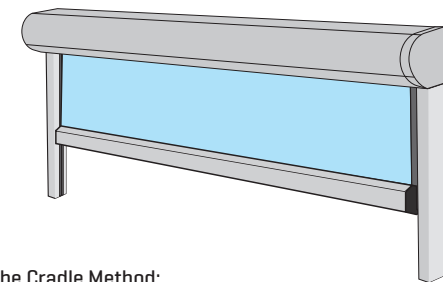


The Center Support Method:

Typically a single roller shade up to 30' wide using a center support bracket.

Problems:

- Shipping costs and potential damages
- Assembly & Installation can be cumbersome
- The cradle support can lead to heavy wrinkles and ultimately damage the fabric.



The Cradle Method:

Some competitors can produce a single shade up to 40' wide where the fabric roller is essentially sitting in a cradle. These shades are either shipped as 1 complete unit or spliced in half.

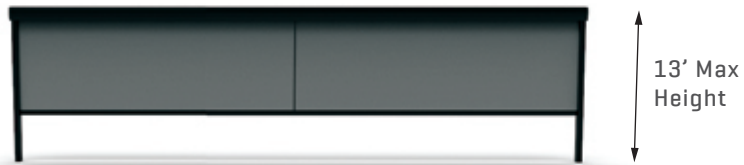
Problems:

- Designed as a "reverse roll" shade. "Regular roll" requires add'l depth
- Assembly & Installation can be very cumbersome if spliced.
- Fabric exhibits waves and v's especially when ziptracks aren't included

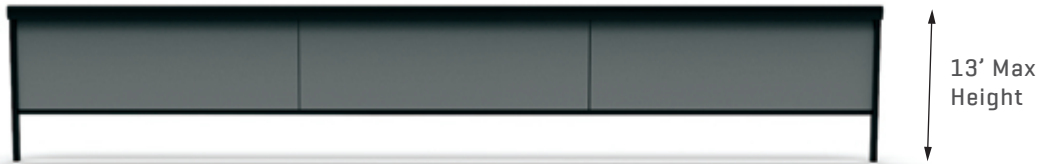
Vertical Zipper Configurations

The maximum span between vertical zippers is 20 ft however they do not have to be positioned on center or equidistant. Vertical zippers can be located to align with architectural features such as door or window mullions.

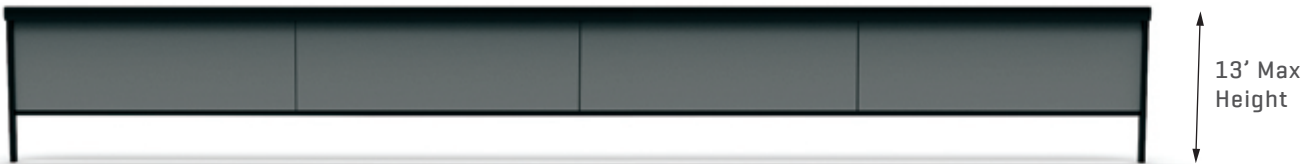
Double Wide / Up to 40 Foot Wide



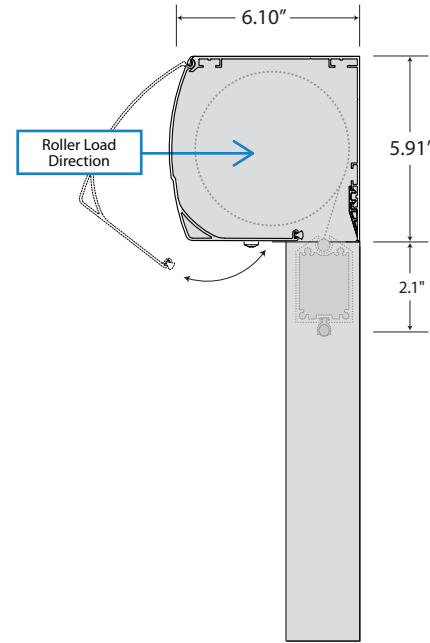
Triple Wide / Up to 60 Foot Wide



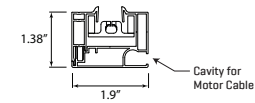
Quad Wide / Up to 80 Foot Wide



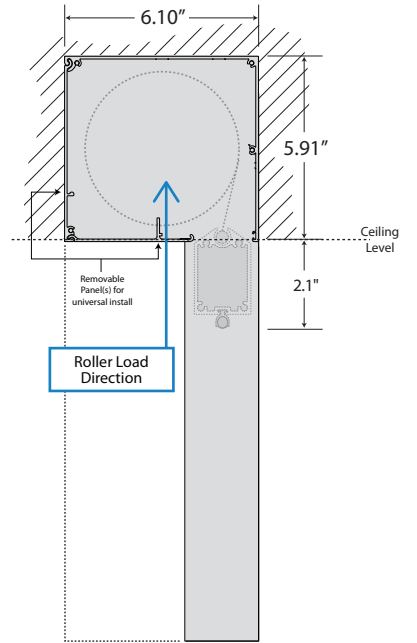
Standard Evo150 Head Box



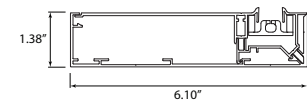
Standard Side Channel
For Evo150 & R150



Optional Recessed R150 Head Box



Optional Deep Side Channel
For Recessed R150*



*Deep side channel is only required if the application requires the R150 recessed head box and recessed side channels.



Metal Colors

For the head box, side channels and fabric hem bar we offer 20 standard RAL colors at no cost. See the separate color chart. Custom powder coating is available.

Vertical Zipper Colors

Crown will use zippers that coordinate as close as possible with the fabric band color chosen.