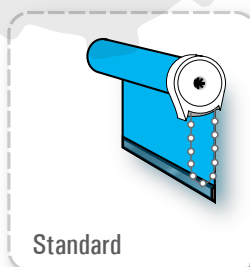


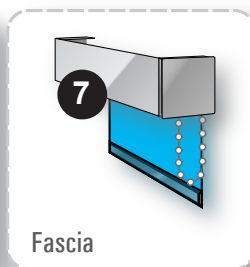


Systems

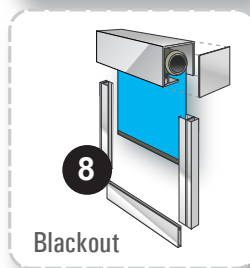
Manual Lift

The Crown **R-Series** Clutch Roller Shade System

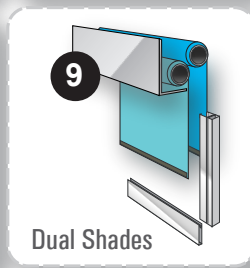
Standard



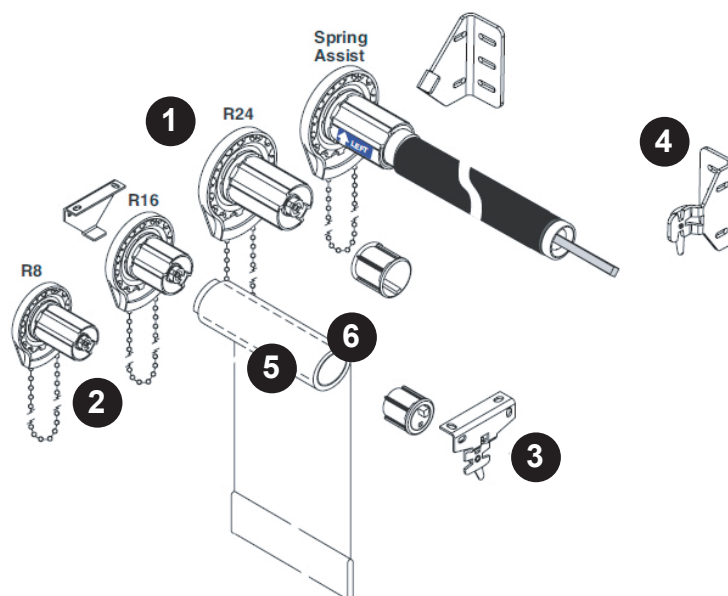
Fascia



Blackout



Dual Shades

**1 R-Series Clutches**

4 different gear sizes are available depending on the size and weight of the shade band.

2 Nickel Plated or Stainless Steel Bead Chain

Robust #10 metal chain can be specified to be on right or left of window.

3 Universal Clutch & Idler Brackets

Ceiling or wall mount heavy duty Zinc-Plated brackets.

4 Superduty Clutch & Idler Brackets

Ceiling or wall mount super duty thick walled Zinc-Plated brackets.

5 Adhesion Fabric Attachment System

The use of adhesives, two double sided tape applications and extra fabric wrap locks the fabric band to the roller.

6 Keyed Profile Aluminum Roller

Extruded aluminum rollers ranging from 1.14" in diameter to 2.55" for clutch shades.

7 Fascia Cover [optional]

3" or 4" Fascia is offered to completely conceal the components of the roller shade system. This L-shaped aluminum extrusion is offered in white, bronze, anodized, vanilla and black. Top Back cover is offered as well.

8 Side & Sill Channels [optional]

For a complete black out shading system, side and sill C-channels are available.

9 Dual Shades [optional]

For complete light control two individual clutch roller shades can be specified. Both shades share a bracketing system and can be mounted inside of a dual shade fascia cover.

Other Options not shown are:

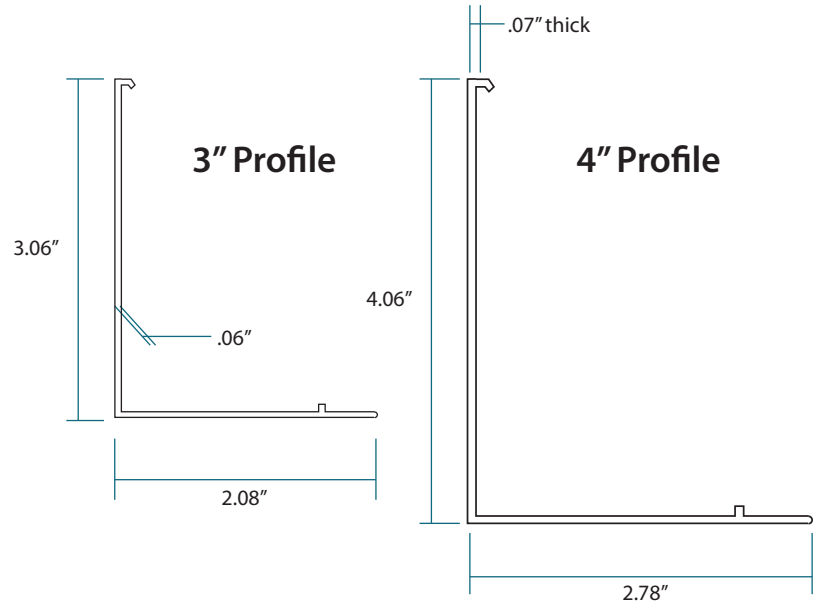
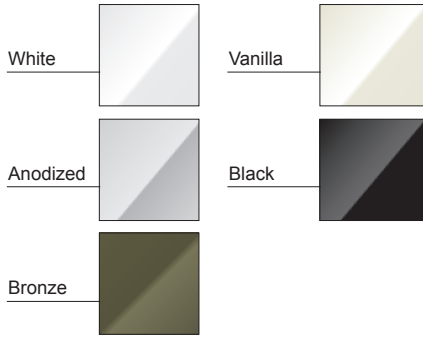
- Easy-Link adjustable intermediate bracket for multi-band shade scenarios
- Spring assisted clutches for larger shades
- External hem bar options in lieu of standard internal hem
- Recessed ceiling pockets, tile lips and closure panels



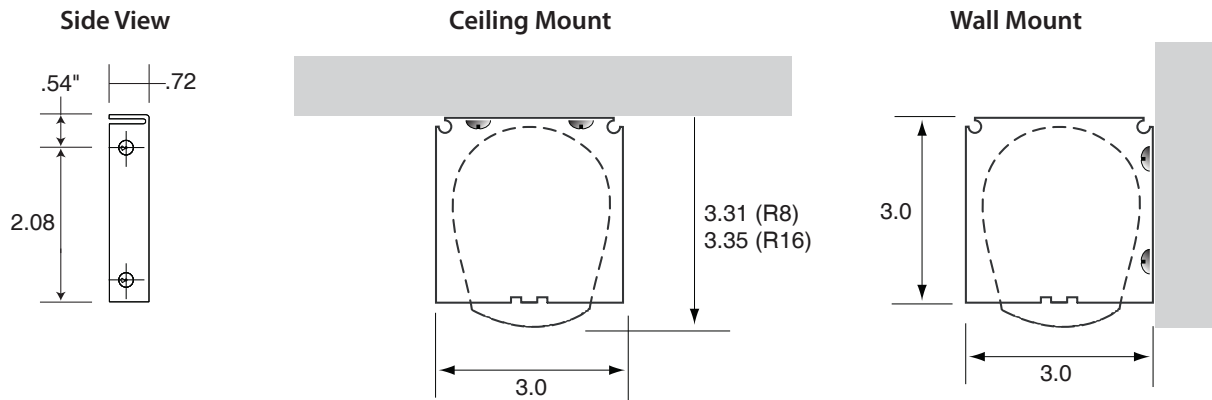
R-Series Fascia

Key Advantages:

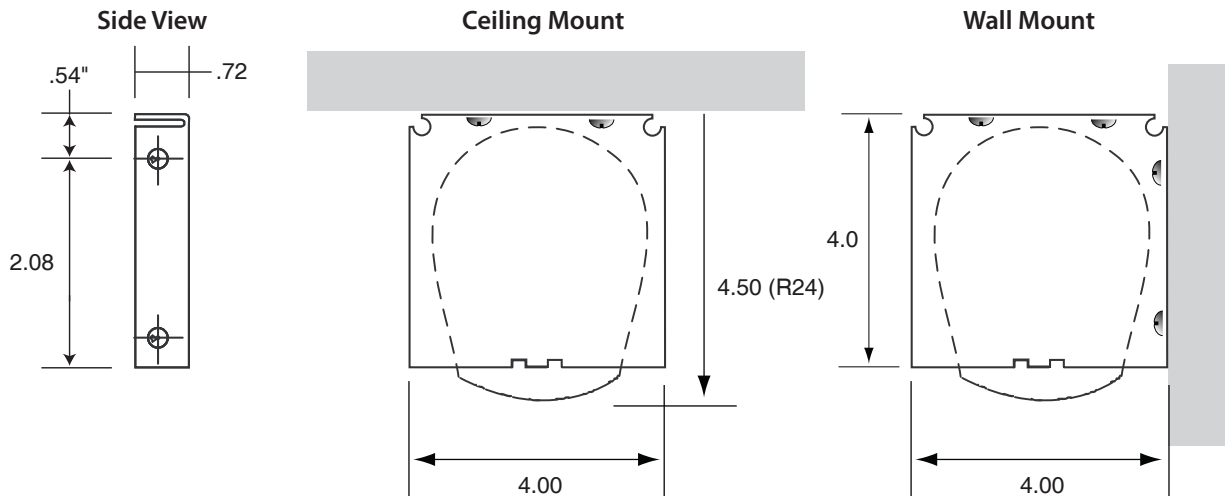
1. No light gap across the top edge of the fascia.
2. Works with ST/LT50 starhead 4" fascia bracketing (ZMC)
3. Tighter light gap where fabric exits the fascia.
4. Compatible with ZMC's heavy duty indexable coupler system.



3" Fascia Bracket Dimension



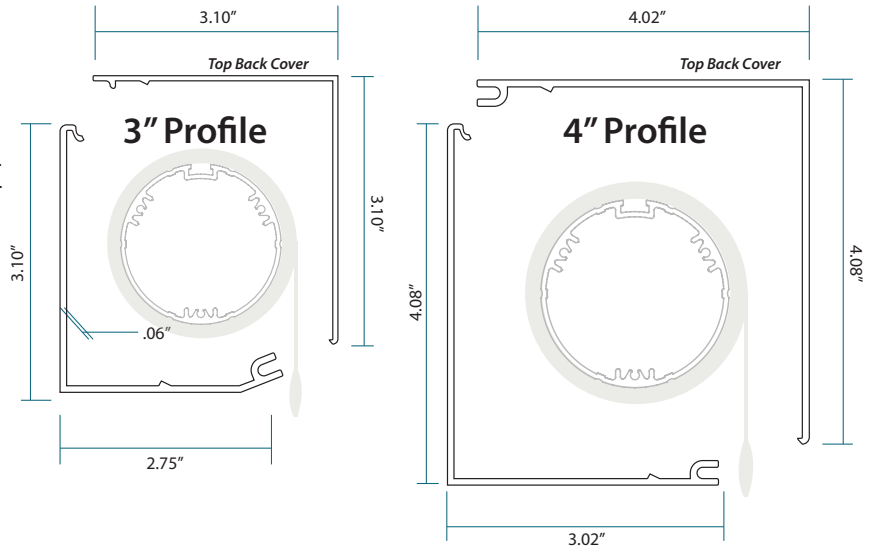
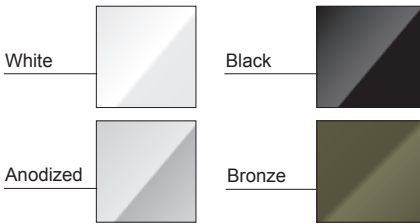
4" Fascia Bracket Dimension



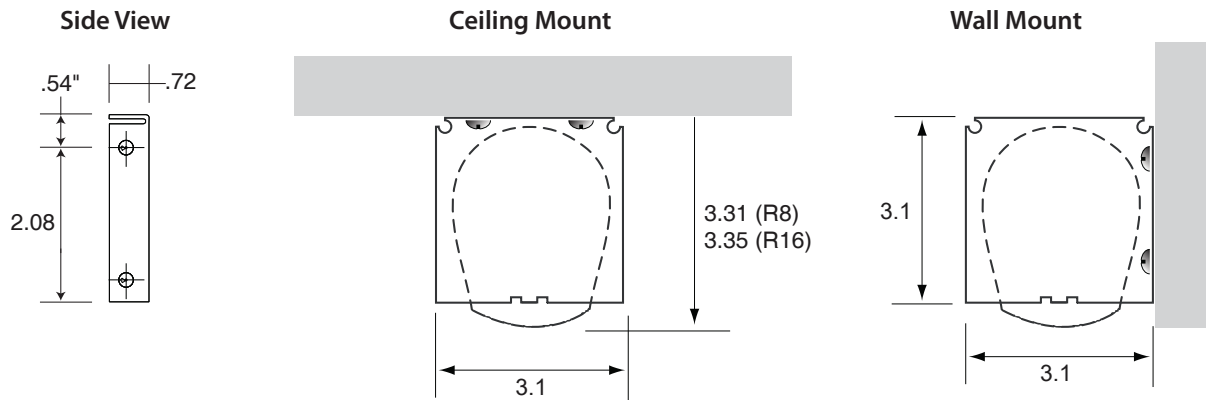
L-Series Fascia For R-Series Hardware

Key Advantages:

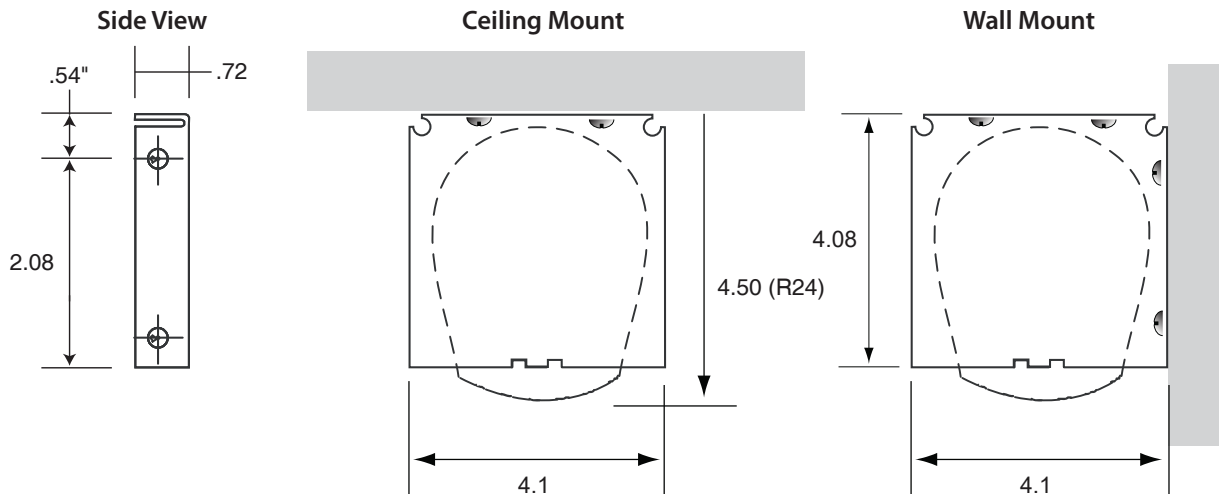
1. No light gap across the top edge of the fascia.
2. Works with ST/LT50 starhead 4" fascia bracketing (ZMC)
3. Tighter light gap where fabric exits the fascia.
4. Compatible with ZMC's heavy duty indexable coupler system.
5. Extruded with protective film to resist scratching prior to installation.
6. Available with Top Back Cover for a total light blocking pocket.
7. Wool pile insert.



3" Fascia Bracket Dimension



4" Fascia Bracket Dimension

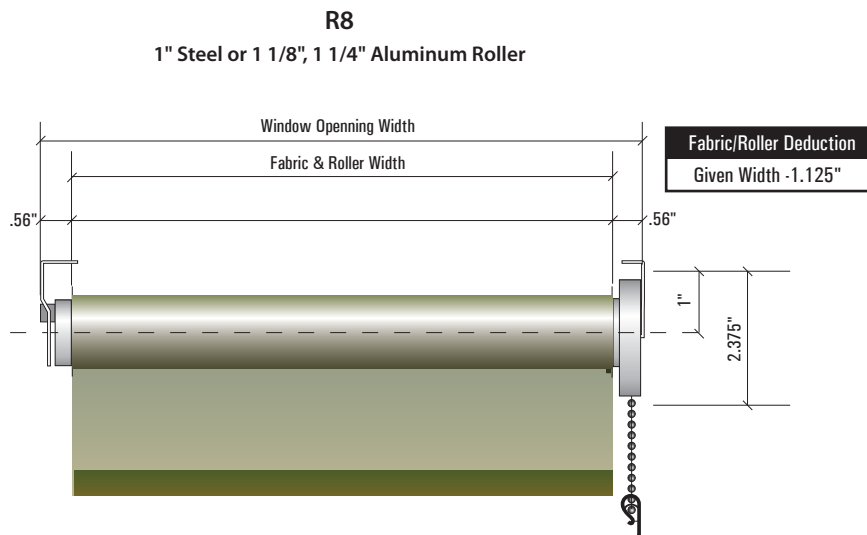
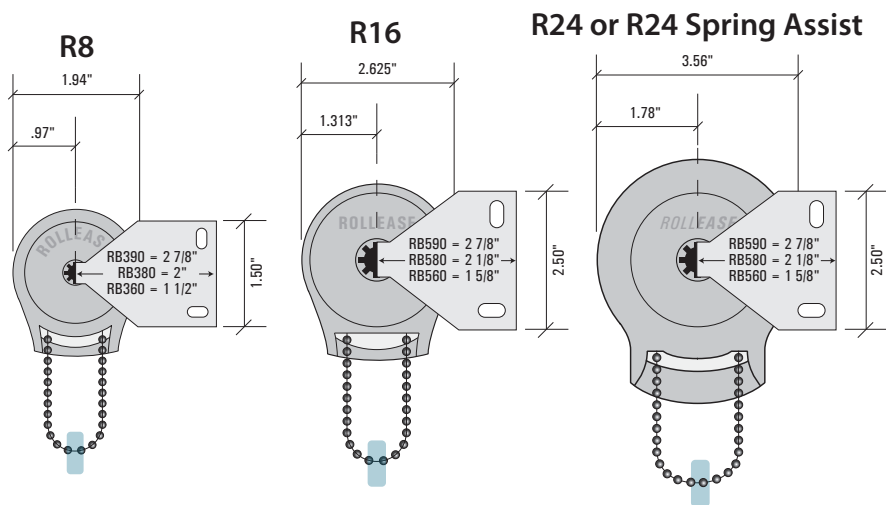




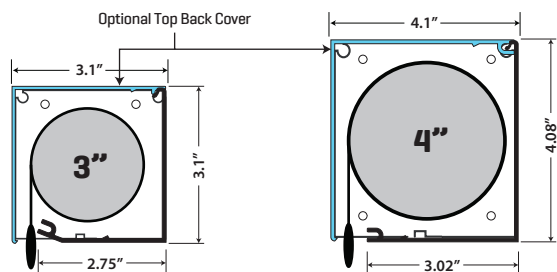
Rollease R-Series Measurements

Clutch Models: R8, R16, R24, R24 Spring Assist Hardware: Rollease R-Series

By: Jared Grodnitzky Date: 4/22/2021 Rev: 2.0



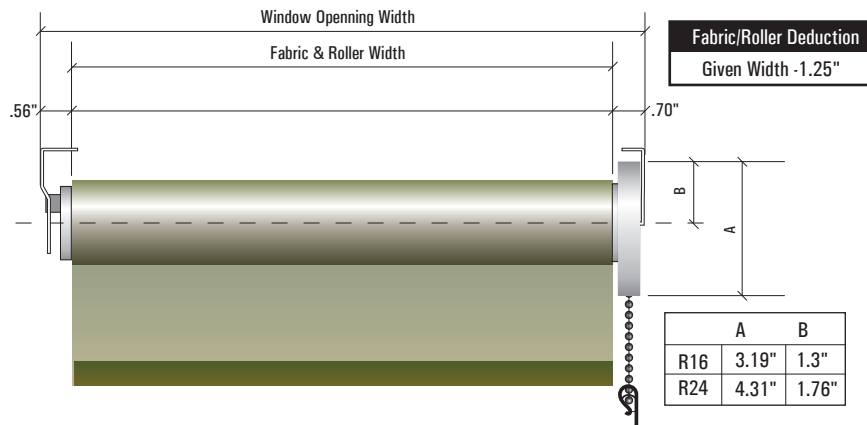
L-Series Fascia System:



Design Trick: If a reverse roll shade with fascia is required you may order just the top back cover shown above to achieve this.

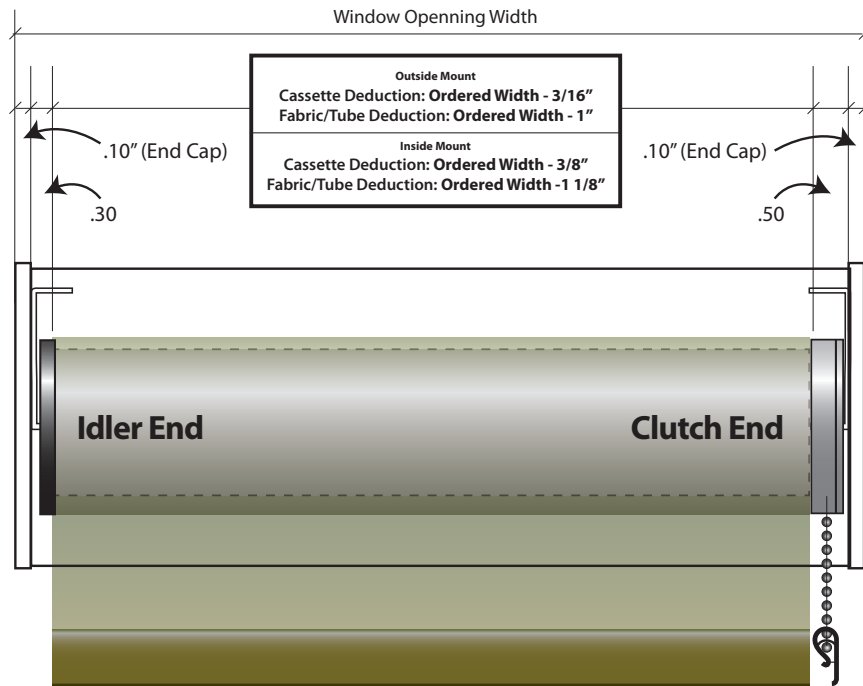
R16/R24/R24Spring Assist

1 1/2", 2" or 2 1/2" Aluminum Roller; 1 3/8" or 1 3/4" Steel Roller





R8 Small, Medium or Large Cassette



R16 Medium or Large Cassette

